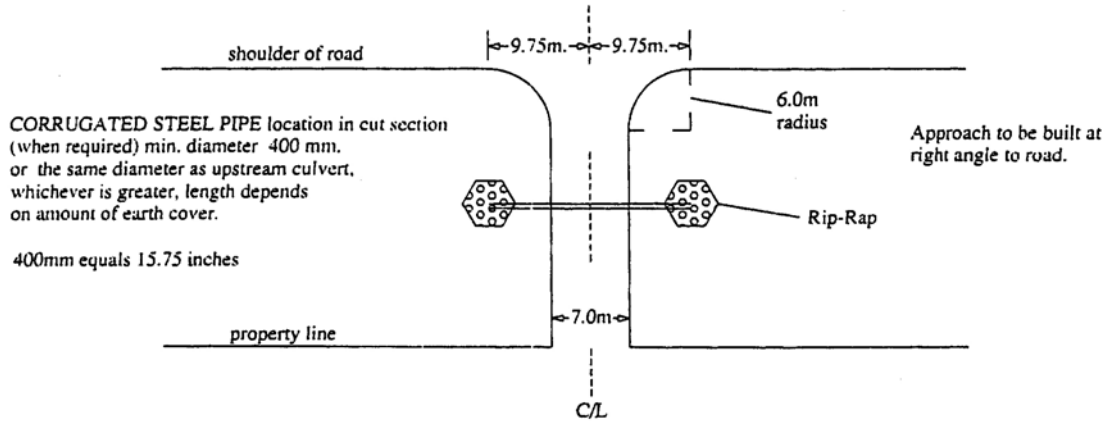
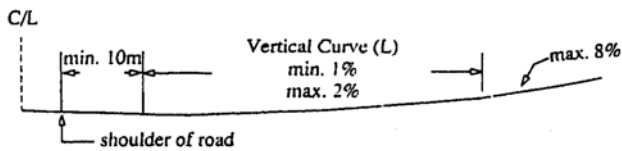


Schedule B – Policy 6601

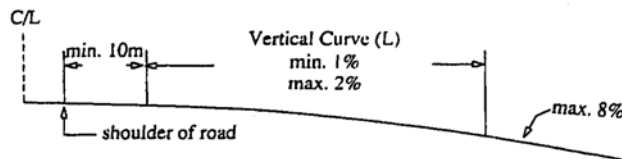
County of Wetaskiwin
PRIVATE APPROACHES
RURAL STANDARD



Profile - Private approach in cut

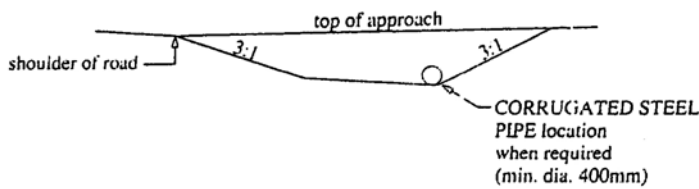


Profile - Private approach in fill

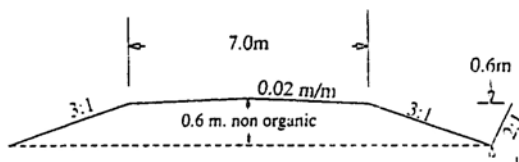


MINIMUM LENGTH OF VERTICAL CURVE		
ALGEBRAIC DIFFERENCE IN GRADIENT (%)	LENGTH L (METRES)	
	CREST	SAG
1	6	7.5
2	12	15
3	18	23
4	25	30
5	30	36
6	37	46
7		46
8		46
9		46

Detail of Ditch and Culvert Location



Minimum Private Approach
Cross Section



NOTE:

All entrances are to be from the internal road system and are to provide reasonable access to the lots, each lot is to have a private approach.

Gravel must be 3/4 inch crush, designation 4, class 20, Ab. Infrastructure Spec., and have a minimum depth of 4 inches (100 mm).

Compaction

Upper 0.30 metre - 100% of Standard Proctor Density
Below 0.30 metre - 98% of Standard Proctor Density